

JUSTIFYING SCALE, PINION AND SPRING

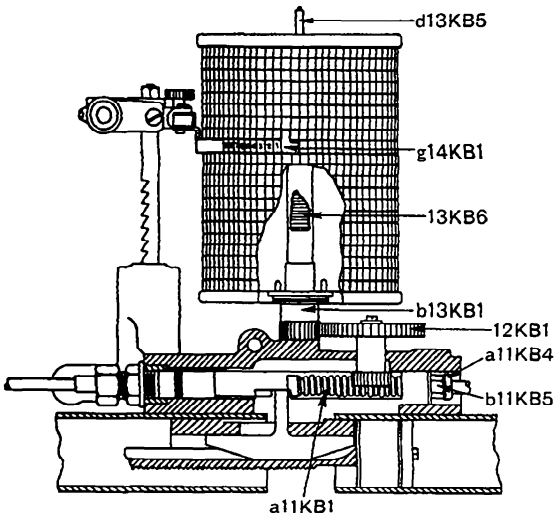
One Adjustment—position of the sleeve a11KB4 and the pinion b13KB1.

OBJECT

That the pointer g14KB1 shall indicate the proper unit row on the justifying scale when the em rack pointer a4KB3 is between 4 ems and zero on the em scale e9KB1.

PRELIMINARY

Turn on the air.



CAUTION

Whenever loosening or tightening the nut b11KB5 hold the sleeve a11KB4 with a wrench to prevent twisting the rack a11KB1 and bringing an unnecessary strain on the stud for gear 12KB1.

Start this adjustment with about $\frac{1}{32}$ " clearance between nut b11KB5 and head of sleeve a11KB4.

Have a justifying scale in place, and see that the indicating point of justifying scale pointer g14KB1 is directly in front of the spindle d13KB5 for Standard keyboards.