

TENSION ARM PISTON ROD

Two Adjustments

First: Length of piston rod.

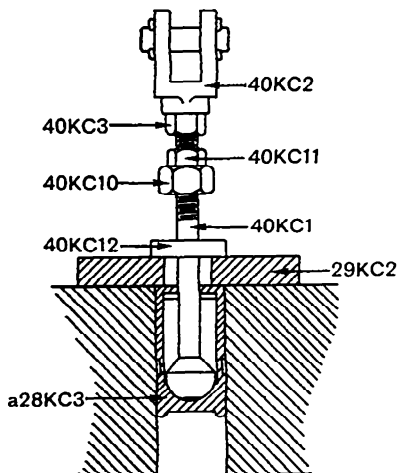
Second: Position of stop and lock nuts.

OBJECT

To ensure proper withdrawal of punches after perforating the paper, and to regulate the stroke of the tension arm to eliminate severe shock to the unit wheel pawl latch 38KB6 through striking heavily against the shoe a29KB3 of the unit rack slide e29KB1 when a key is struck.

PRELIMINARY

Slacken off the nuts 40KC10 and 40KC11 so that they are well away from plate 29KC2.



Turn on the air.

Loosen the lock nut 40KC3 and screw the rod 40KC1 into the yoke 40KC2 until there is up and down play between the lower end of the rod 40KC1 and the piston a28KC3 (beneath the plate 29KC2).